

Direct on Fabric Printing Machine

Industrial High-Speed Digital Textile Printer



PRODUCT FEATURES

- Linear motor rail beam
- Suitable for all fabrics types
- Automatic Negative Pressure
- Designed specially for High-Quality
- High Productivity and High-Performance
- Degassing system reduces print head clogging



Up to 32 Heads



Easy Loading



Fast Response



600 x 1200 dpi



Quality



Personalized



Up to 1900mm



Eco-Friendly



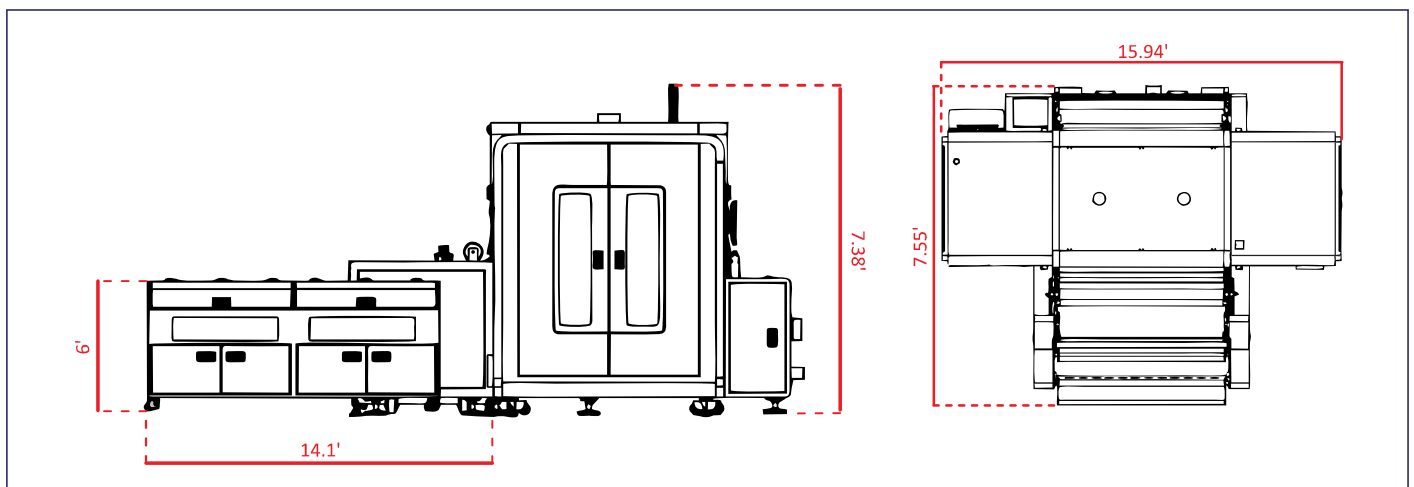
Intelligence



Flexibility



600 x 600 dpi - 580m²/h
600 x 1200 dpi - 300m²/h



FASTER & MOST STABLE

Machine Dimention

Dimention : L4860*W2304*H2250mm

Weight : 3800 kgs.

Dryer Dimention

Dimention : L4300*W3800*H1900mm

Weight : 1450 kgs.

SPECIFICATIONS

| Printer Model | | Ricoh G6 Print Head | | Kyocera Print Head | |
|------------------------|------|---|-----------|--------------------|-----------|
| Print Speed | Pass | 16 Head | 32 Head | 16 Head | 32 Head |
| | 1 | 350 LM/HR | 700 LM/HR | 300 LM/HR | 600 LM/HR |
| | 2 | 170 LM/HR | 350 LM/HR | 150 LM/HR | 300 LM/HR |
| Belt width | | 1950mm | | | |
| Ink color (8 color) | | CMYK ORGB | | | |
| Types of ink supported | | Reactive / Disperse / Pigment / Acid | | | |
| Image type | | JPEG/TIFF, BMP file format and RGB/CMYK color mode | | | |
| Media or Fabric type | | Suitable for all types of fabrics thickness upto- 15mm (compatible with ink type) | | | |
| RIP software support | | Neostampa (Delta) | | | |
| Transfer medium | | Belt continuous transport, automatic media feeding and take-up | | | |
| Compressed air | | 8 Bar/0.6 MPA / 25 CFM | | | |
| Work environment | | Temperature 22C-28°C, Humidity 55%-65% | | | |

POWER SUPPLY

| | |
|-----------------------------|-----------------------------------|
| Printer | 14A (9KW) + 18.6A(12KW) - 3 Phase |
| External Dryer (Electrical) | 22A (16KW) - 3 Phase |
| External Dryer (Gas) | 8KW-3 Phase + Gas |

*Specifications are subject to change

